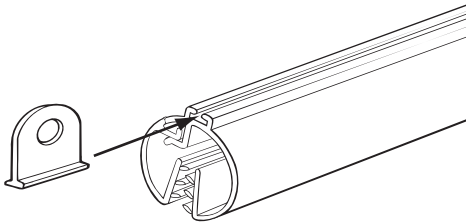


# Space Commander® Banner Hanger with Track – Sure-Twist® Ceiling Clip

Installation Instructions

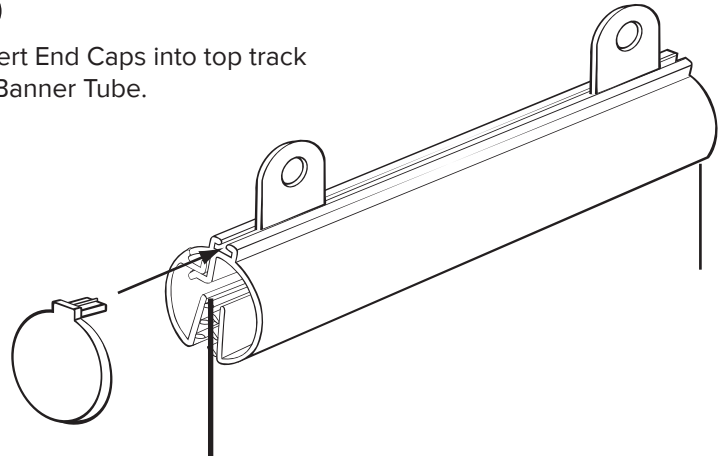
①

Slide Hanger Clips into top track of Space Commander® Banner Tube.



③

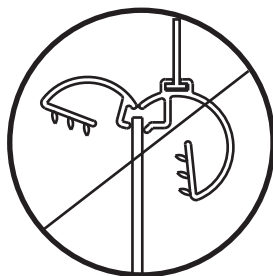
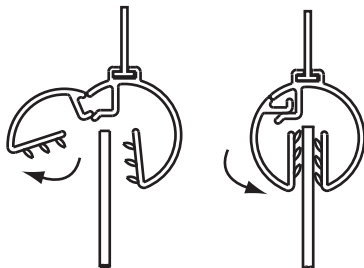
Insert End Caps into top track of Banner Tube.



②

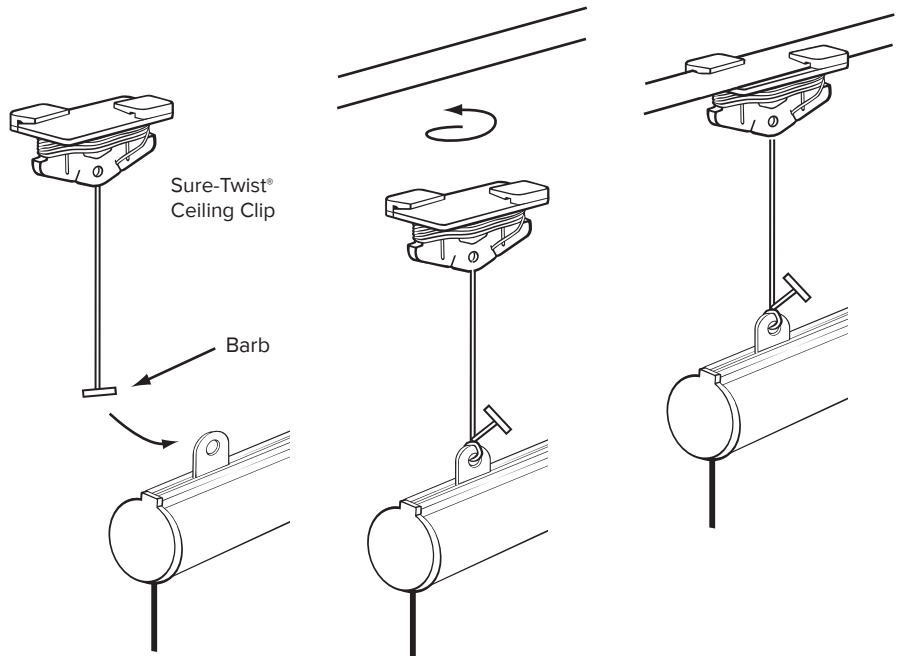
Pry open hinged side. Start at one end of tube, and work your way down tube until it is completely open. Insert banner, snap shut tube to lock banner in place.

**NOTE:** See illustration below to determine how far to insert banner into banner hanger. Inserting banner too far into banner hanger may damage its hinge.



**CAUTION:**

Do not feed banner into clamping mechanism.



④

Unwind the barbed cord of the Sure-Twist® Ceiling Clip. Tie barbed end of cord to Hanger Clip. Repeat for the second Clip.

⑤

Twist Sure-Twist® Ceiling Clip onto ceiling grid. **NOTE:** As you twist the Ceiling Clip into place, a "click" sound will let you know that the Ceiling Clip is secure. Repeat for second Clip.

⑥

Installation is complete.

20190607